
LESION 5 LOFT LAB 04 (DECORATION VAST)

IDE 3301 CAID

DR. PALANG WONGTANASUPORN

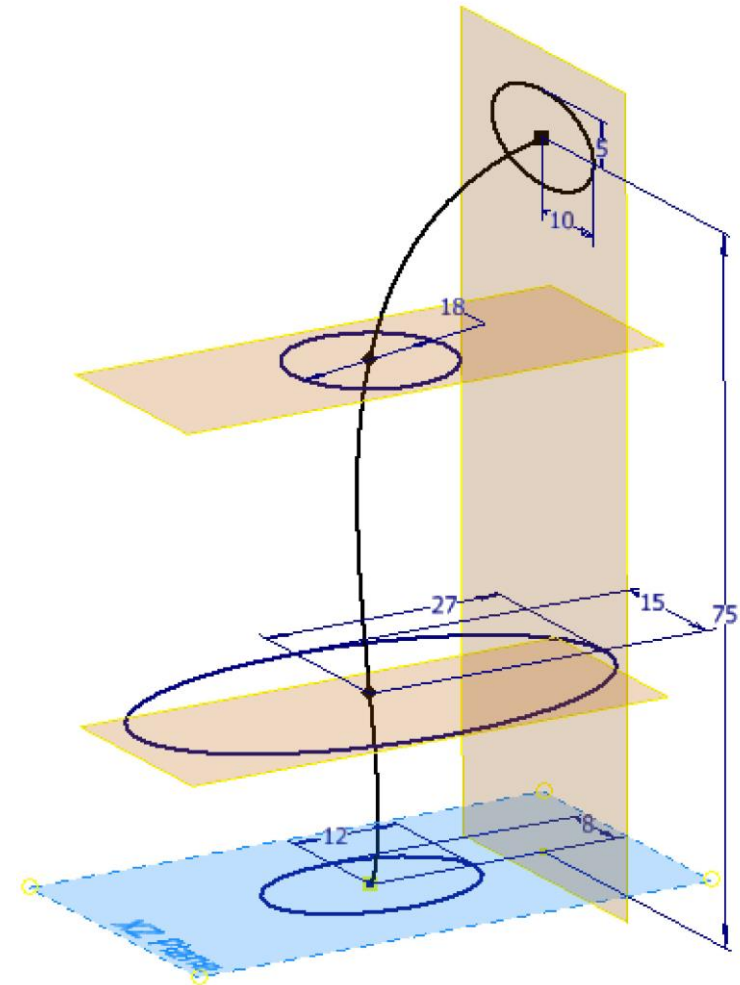
LECTURE 7

**Decoration Vast
Step by step
reveal**



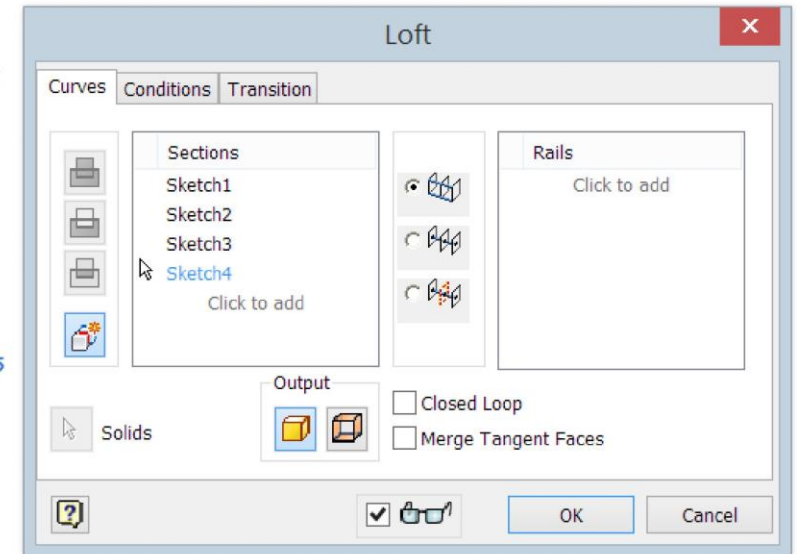
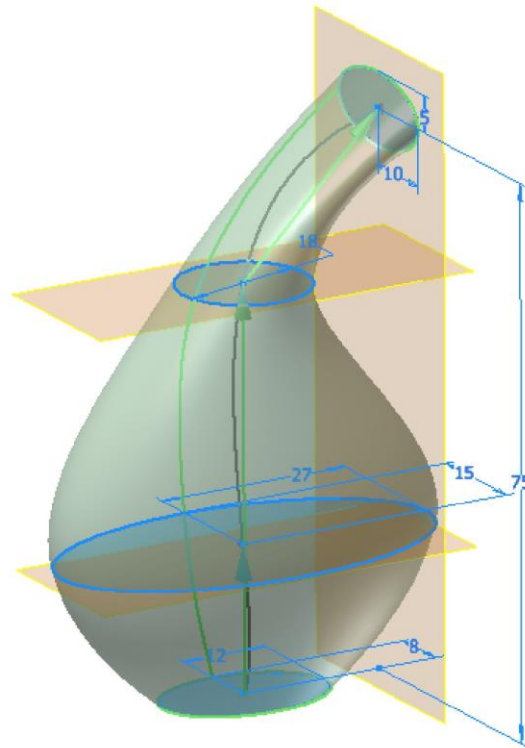
LOFT PREPARATION

- Step1 Create new work planes then prepare sketches by drawing ellipse as show in picture beside
- Step2 Use 3d line create path that run through all ellipse center



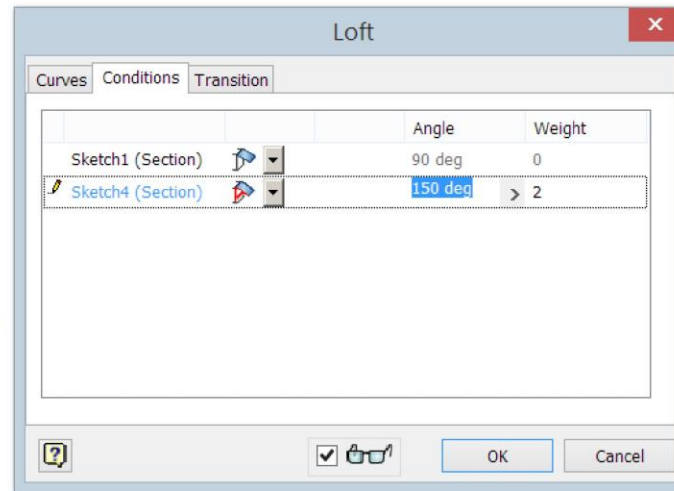
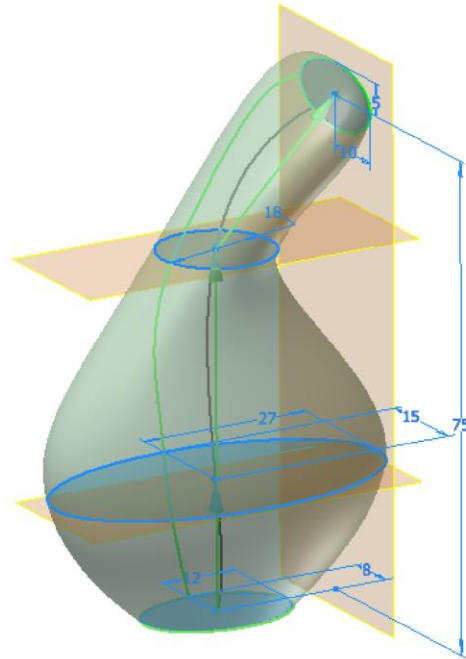
LOFT OPERATION

- Step 1 Access operation loft by click Create tab →Sweep →Loft
- Step 2 Select profile sketch one by one from bottom to top
- Step 3 Select 3D line as Rail
- Step 4 Click OK



LOFT OPERATION

- You may change conditions from conditions tab and see the differences on model



DECAL

- The imported picture will wrap round the model

